

**efector 300**

ifm electronic



Flow sensors

**SC0501**

SCN12FFABBOA

Flow monitor

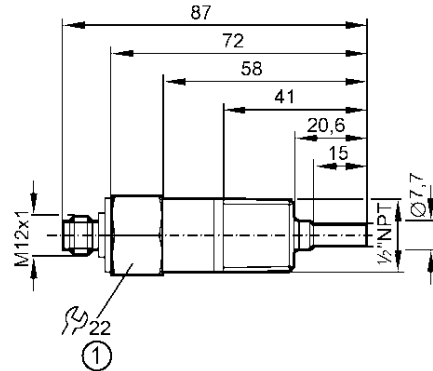
Compact type

Connector

Process connection: 1/2" NPT

Factory setting of the switch point

15 cm/s

(to water (20 °C) and mounting in  
4" pipe)

1: Tightening torque max. 100 Nm (with stainless steel adapter) or according to ANSI B1.20.1

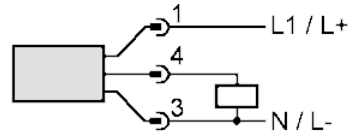
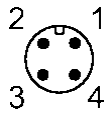


Made in Germany

Application	water
Electrical design	AC/DC
Output	normally open
Operating voltage [V]	24 AC / DC $\pm$ 15% (AC: 47...63 Hz) <sup>1)</sup>
Current rating [mA]	80 AC / DC
Short-circuit protection	no
Reverse polarity protection	yes
Overload protection	no
Overload protection	no
Voltage drop [V]	< 0.8
Current consumption [mA]	< 50
Pressure rating [bar]	25
Medium temperature [°C]	-10...60 *)
Power-on delay time [s]	15
Response time [s]	1...10
Ambient temperature [°C]	-20...70
Protection	IP 67, III
Shock resistance	DIN IEC 68-2-27:50 g (11 ms)
Vibration resistance	DIN IEC 68-2-6:20 g (10...2000 Hz)
Housing materials	stainless steel (303S22)
Materials (wetted parts)	stainless steel (303S22)
Connection	M12 connector
Max. cable length [m]	10
Weight [kg]	0.125
Remarks	<p><sup>1)</sup> to EN50178, SELV, PELV; referring to UL: "limited voltage" with overcurrent protection in accordance with UL508</p> <p>*) in case of medium temperatures &lt; 4°C the data refer to water/glycol (40% glycol)</p>

(to water (20 °C) and mounting in 4" pipe)  
Storage temperature: -40...70 °C

### Wiring



ifm electronic gmbh • Friedrichstraße 1 • 45128 Essen — We reserve the right to make technical alterations without prior notice. — GB — SC0501-00 — 16/03.2005